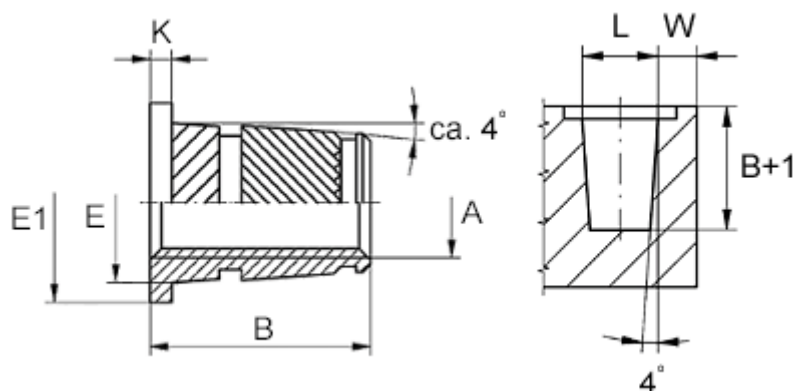


Data Sheet



Article number: 12855100020800
Description: KLEE-coil 855 100 020.800
M2 Brass

Measures



Female thread A	= M2
Flange diameter E1	= 5.6
Flange height	= 0.6
Length B	= 5.6
Min distance to edge W	= 1.5
Outer diameter E	= 4.1
Recommended bore diameter W +0.1	= 3.8